

TANDEM runner

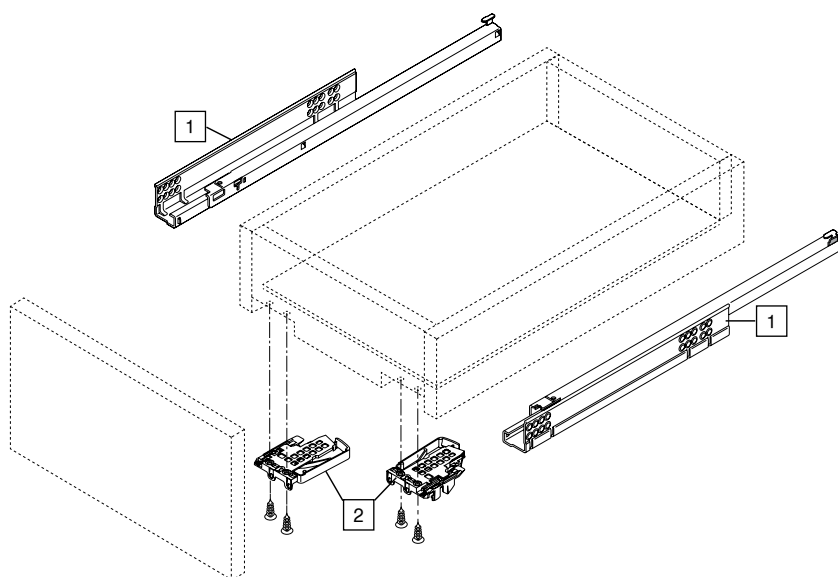
Single extension (550H)

30 kg

导轨系列 半拉式

INSTALLATION
SHEET

 **blum**[®]



| Item | Qty | Unit | Description |
|------|-----|------|---|
| 1 | 1 | pair | TANDEM runner plus BLUMOTION (Single extension) Tandem 导轨系列 内置 BLUMOTION (半拉式) |
| 2 | 1 | set | Locking device (Left & Right) 接码 左右 |



Planning/设计

| | | | |
|---|--|--|------------------------------------|
| <p>Drawer/inner drawer 抽屉/内抽屉</p> <p>A = X - 42 mm</p> <p>A = Internal drawer width/抽屉内净宽 X = Internal carcass width/箱体净宽</p> | <p>Space requirements in carcass 箱体内的空间需求</p> | <p>Drawer 抽屉</p> <p>DL - Drawer Length RL - Runner Length</p> | <p>Drawer assembly 抽屉装置</p> |
|---|--|--|------------------------------------|

Assembly/安装指示

Locking device/接码

| | | |
|-------------------------------|--------------------------------|--------------------------|
| | | |
| <p>Four-sided drawer 四面抽屉</p> | <p>Three-sided drawer/三面抽屉</p> | <p>Inner drawer/内低抽屉</p> |

Drawer insertion and removal/抽屉挂上和卸下

| | | | |
|---------------------|--|-------------------|--|
| | | | |
| <p>Insertion/挂上</p> | | <p>Removal/卸下</p> | |

Adjustment/调节

Height adjustment/调节高度: + 3 mm