

TANDEM runner

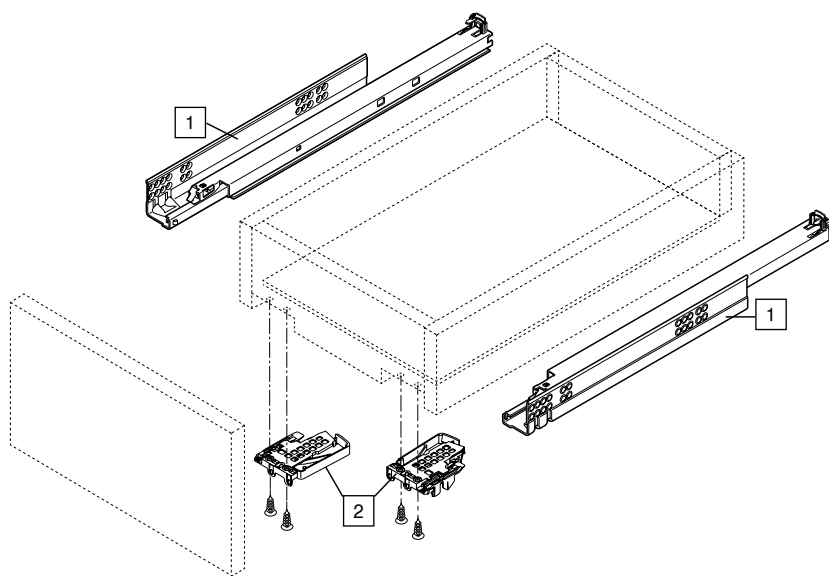
Full extension (560H/566H)

30/50 kg

导轨系列全拉式

INSTALLATION
SHEET

 **blum**[®]



Item	Qty	Unit	Description
1	1	pair	TANDEM runner plus BLUMOTION (Full extension) Tandem 导轨系列 内置 BLUMOTION (全拉式)
2	1	set	Locking device (Left & Right) 接码 左右



Planning / 设计

<p>Drawer/inner drawer 抽屉/内抽屉</p> <p>A = X - 42 mm</p> <p>A = Internal drawer width/抽屉内净宽 X = Internal carcass width/箱体净宽</p>	<p>Space requirements in carcass 箱体内的空间需求</p>	<p>Drawer 抽屉</p> <p>DL - Drawer Length RL - Runner Length</p>	<p>Drawer assembly 抽屉装置</p>
---	--	--	------------------------------------

Assembly / 安装指示

Locking device/接码

Four-sided drawer 四面抽屉	Three-sided drawer/三面抽屉	Inner drawer/内低抽屉

Drawer insertion and removal/抽屉挂上和卸下

Insertion/挂上		Removal/卸下	

Adjustment/调节

--	--

Height adjustment/调节高度: + 3 mm 560/566: tilt adjustment/借助导轨调节倾斜度