



TIP-ON for TANDEM

The mechanical opening support system

TIP-ON for TANDEM

The mechanical opening support system

Ease of opening for handle-less fronts



Handle-less furniture is becoming more and more popular in the living area. With TIP-ON, we offer a mechanical opening support system for handle-less fronts. It allows your customers to easily open handle-less pull-outs.

The new synchronisation for TIP-ON for TANDEM makes it possible to open wide fronts with just a light touch, no matter where you press on the handle-less front. TIP-ON can be used in the kitchen as well as other living areas.



A light touch is enough and the pull-out opens easily



The pull-out opens at a position that is comfortable for the furniture user.



To close the pull-out, it can be lightly pressed shut or closed with a light swing.



TIP-ON can be combined with TANDEM full and single extensions without BLUMOTION and it offers tool-free assembly



Synchronisation (optional)
Reliable opening for wide fronts.
Tool free assembly.



TANDEM – runner system

► Basic elements

►► Full extension – Drawer/Inner drawer – 560H

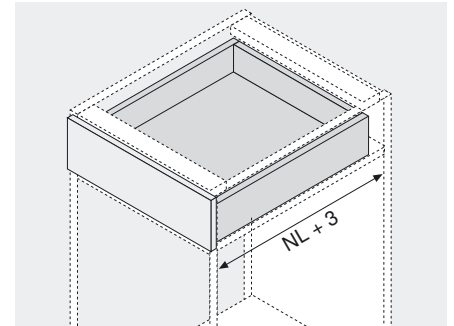
Product



Description

- Dynamic load bearing options 30 kg
- TANDEM inside – unsurpassed running action – for the lifetime of the furniture
- Tool-free height adjustment via a locking device
- Tool-free integrated front tilt adjustment
- Built-in width and depth tolerance compensation
- BLUMATIC self closing feature
- Synchronisation available for cabinet width 600 mm and wider

Space requirement



NL Nominal length

Order specification

1	Runners left/right		30
Nominal length NL			
250 mm	560H2500C		
270 mm	560H2700C		
300 mm	560H3000C		
320 mm	560H3200C		
350 mm	560H3500C		
380 mm	560H3800C		
400 mm	560H4000C		
420 mm	560H4200C		
450 mm	560H4500C		
480 mm	560H4800C		
500 mm	560H5000C		
520 mm	560H5200C		
550 mm	560H5500C		
600 mm	560H6000C		

3	Locking device left/right		
	Orange	Left	T51.1700.04
	Orange	Right	T51.1700.04

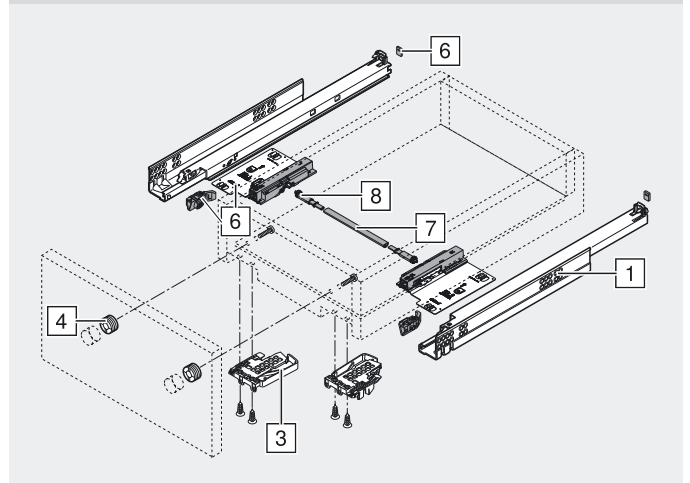
4	Front adjustment bracket (optional)	
	Natural	295.1000
	Nylon	

6	TIP-ON left/right		
	For handle-less fronts	Left	T55.7151S
		Right	T55.7151S

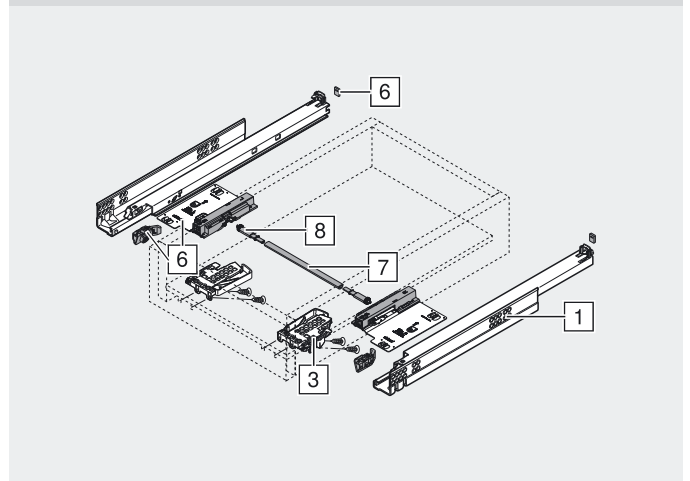
7	TIP-ON synchronisation – Shaft (optional)		
	Aluminium	Cabinet width CW	
		KB 600 mm	T55.289W
		KB 900 mm	T55.589W
		KB 1000 mm	T55.689W
		KB 1200 mm	T55.889W
		for cutting to size	

8	TIP-ON synchronisation – Pinion (optional)	
	Dust grey	T55.000R

Drawer



Inner drawer



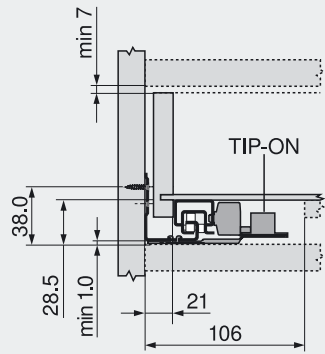
TANDEM – runner system

► Basic elements

►► Full extension – Drawer/Inner drawer – 560H

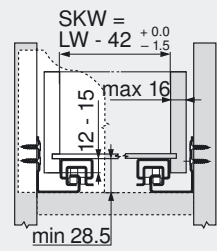
Planning

Space requirements in cabinet



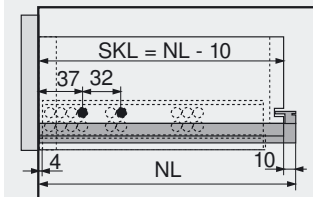
Drawer/Inner drawer

SKW Internal drawer width
LW Inner cabinet width



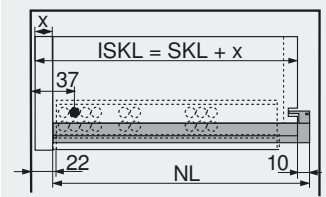
Drawer

SKL Drawer length
NL Nominal length



Inner drawer

ISKL Inner drawer length
SKL Drawer length
NL Nominal length
X Front thickness



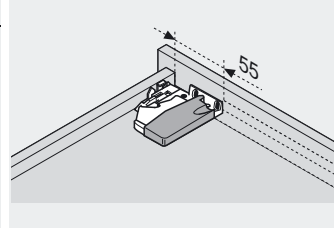
Cabinet profile screw positions

Nominal length NL (mm)

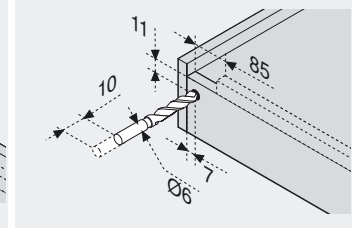
250, 270	
300, 320	
350, 380	
400, 420	
450, 480	
500, 520, 550	
600	

Min. internal cabinet depth = nominal length + 3 mm

Drawer assembly

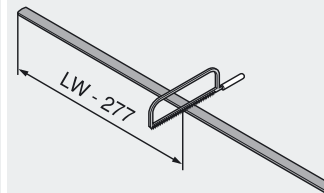


Use drilling template T65.1000



Use drilling template T65.1000

cut-to-size dimensions for shaft



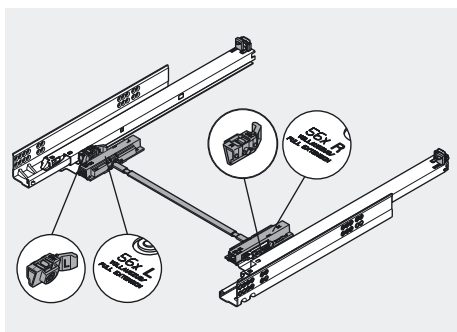
LW Internal width

TANDEM – runner system

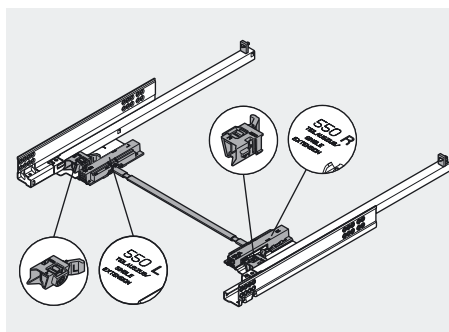
► Basic elements

►► Assembly, removal and adjustment

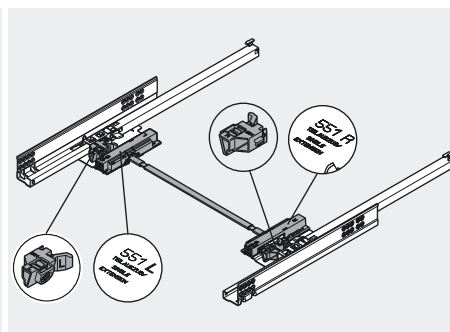
56xH



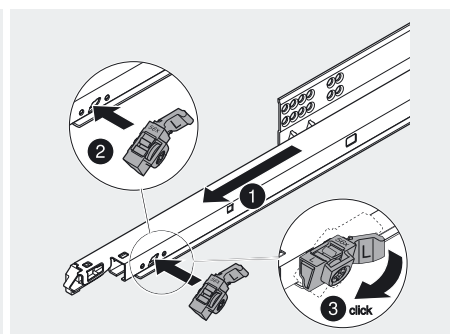
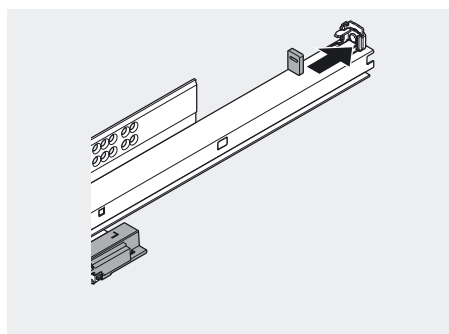
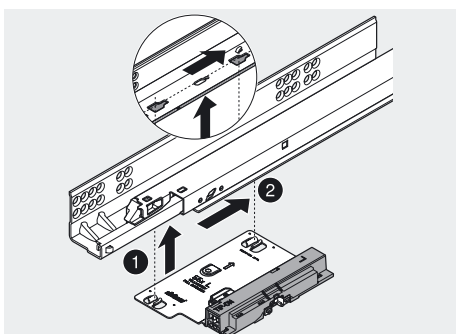
550H



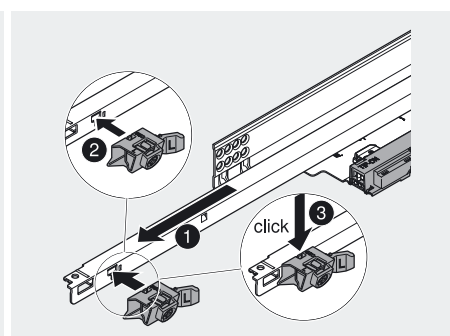
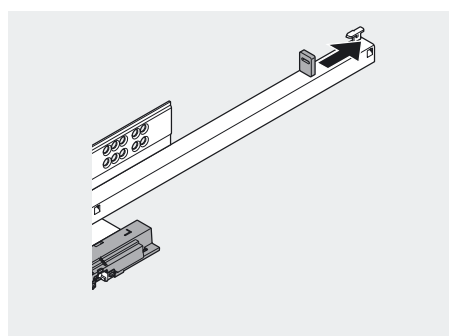
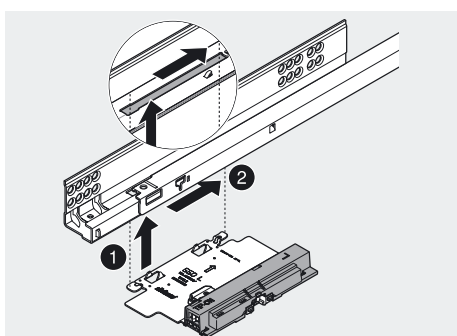
551H



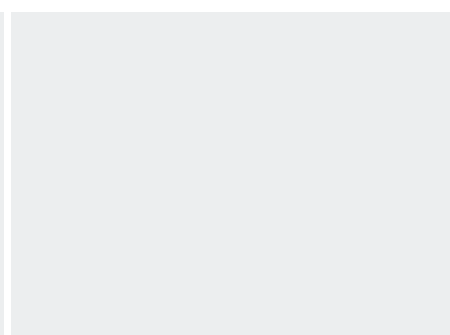
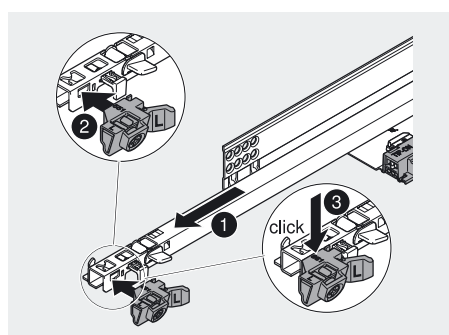
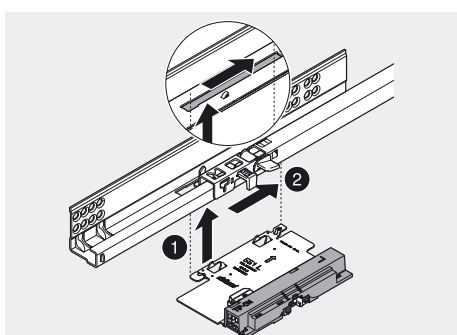
56XH



550H



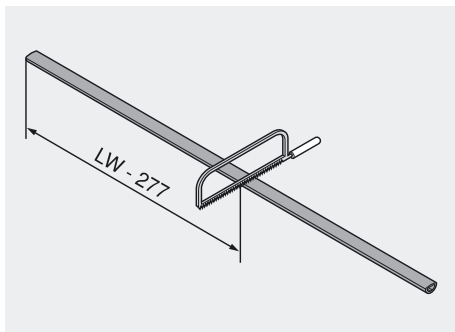
551H



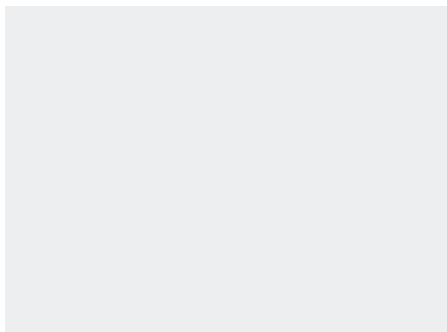
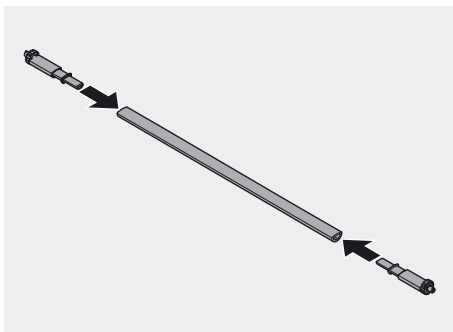
TANDEM – runner system

- ▶ Basic elements
- ▶▶ Assembly, removal and adjustment

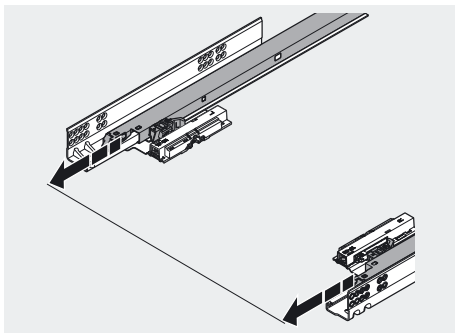
Available for cabinet width 600mm and wider (56xH, 550H, 551H)



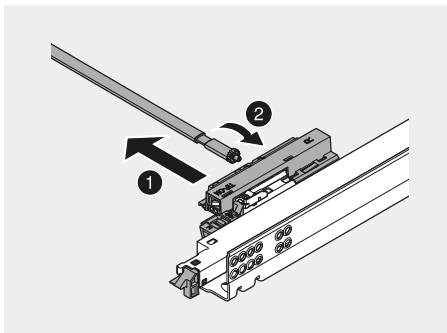
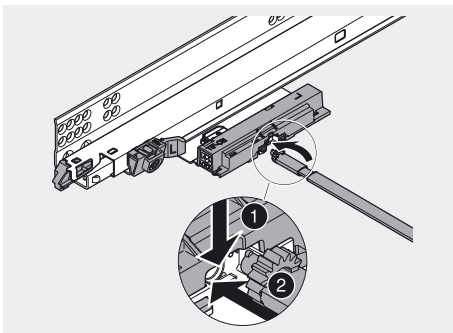
LW Internal width



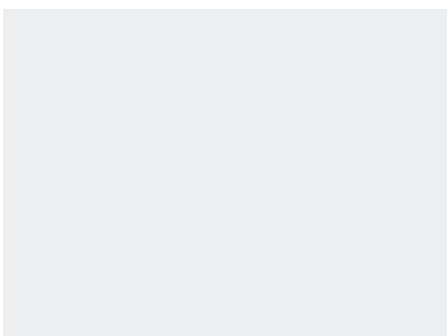
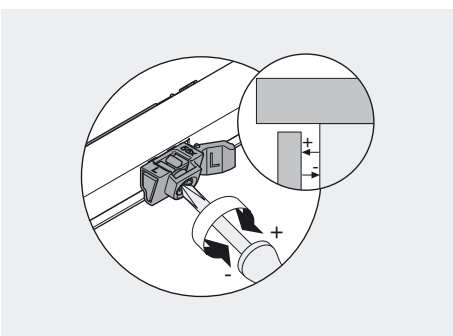
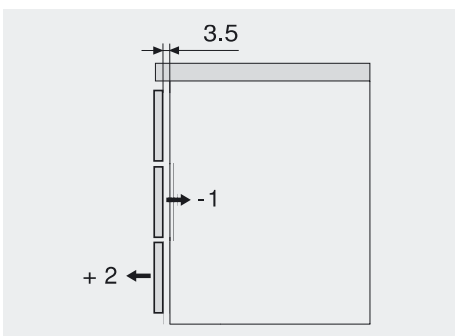
56XH, 550H, 551H



Cabinet profile backed out for assembly and removal



Depth adjustment (56XH, 550H, 551H)





Blum Fittings

For the lifetime of your kitchen

Julius Blum GmbH
Furniture Fittings Mfg
6973 Hoechst, Austria
Tel.: +43 5578 705-0
Fax: +43 5578 705-44
E-Mail: info@blum.com.com
www.blum.com | connect.blum.com

