

smart slide full·fit | Power

American Drawer Systems



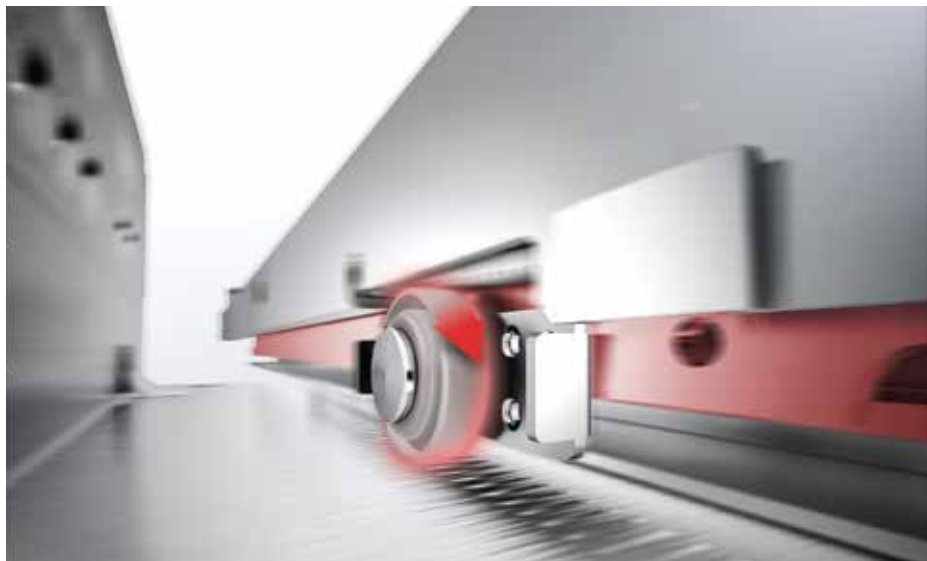
samet

Smart Slide Full Fit Full Extension Undermount Slides

Innovative design meets high expectations. Either you build a kitchen or bathroom, or a dovetail drawer for your wardrobe; Smart Slide offers you a wide range of possibilities.

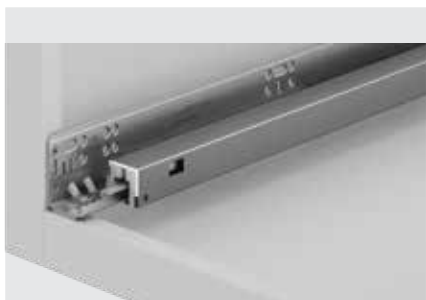
Smart Slide was developed by SAMET R&D engineers with feather light movement and smooth soft closing system especially for fast, safe and easy installation. Inspire your designs with more value-added solutions!





Synchronisation for smart motion

SAMET continues to develop comfortable solutions for silence and smoothness on the slide systems. Thanks to our new and innovative synchronisation technology, Smart Slide Full Extension Slides will function more silently and smoothly.

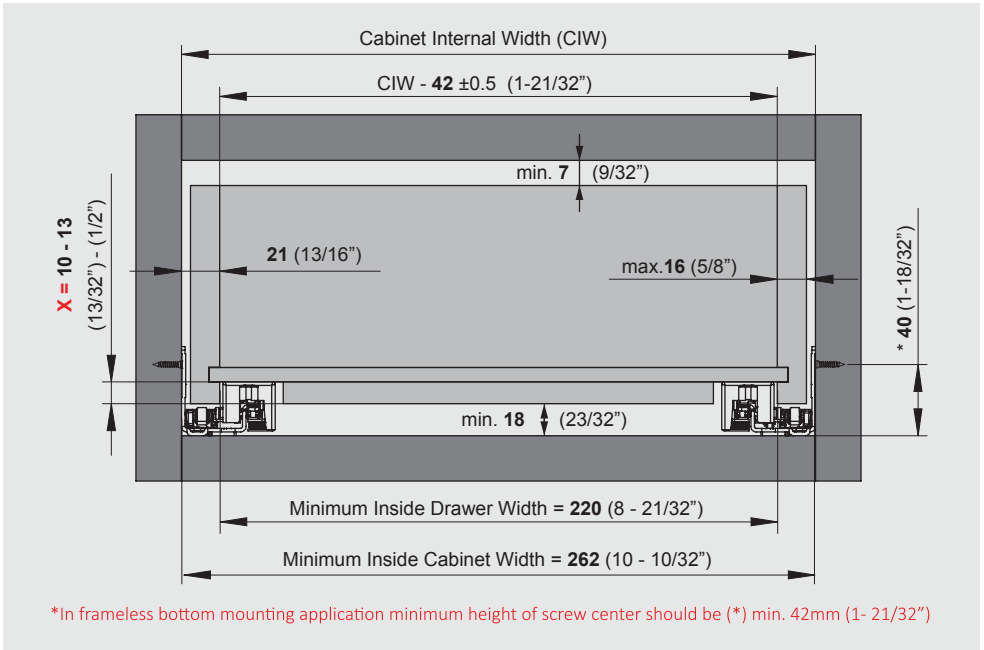


Long-lasting performance

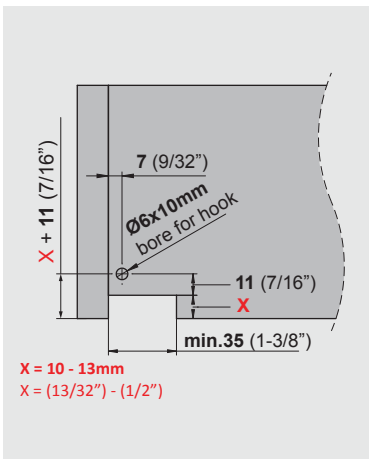
Compatible with wide drawer size alternatives within a range of 9" to 21" lengths provide various options during furniture and cabinet production.

Smart Slide Full Fit brings innovative and high-end solutions together with its superior performance.

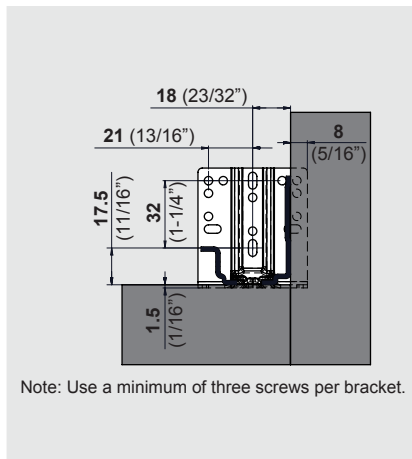
Drawer and Cabinet Dimensions



Drawer Back Preparation

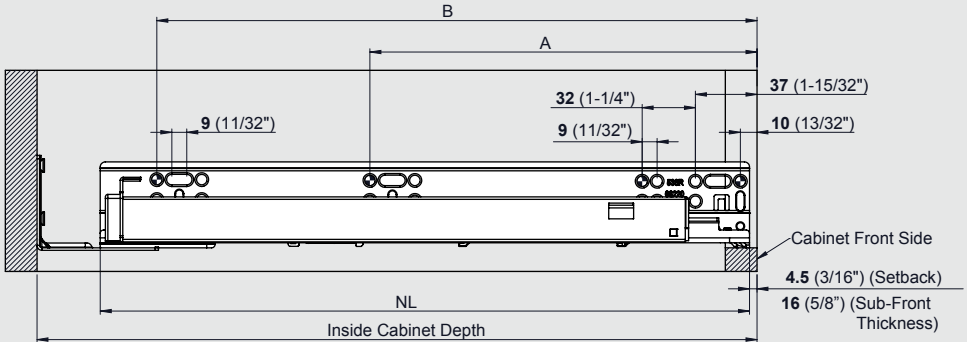


Rear Mounting Bracket



Slide Mounting Specifications

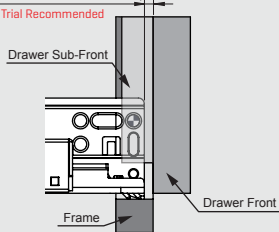
Compatible with metal rear mounting brackets.



Drawer Length	Inside cabinet depth with rear attachment		Slide Length (NL)	Screw locations for frameless cabinets	
	Max	Min		A	B
229 (9")	310 (12-7/32")	270 (10-5/8")	261 (10-9/32")	133 (5-7/32")	229 (9")
305 (12")	368 (14-1/2")	328 (12-29/32")	319 (12-9/16")	165 (6-1/2")	261 (10-9/32")
381 (15")	444 (17-1/2")	404 (15-29/32")	395 (15-9/16")	165 (6-1/2")	357 (14-1/16")
457 (18")	520 (20-1/2")	480 (18-29/32")	471 (18-17/32")	261 (10-9/32")	453 (17-27/32")
533 (21")	597 (23-1/2")	557 (21-15/16")	548 (21-9/16")	261 (10-9/32")	517 (20-3/8")

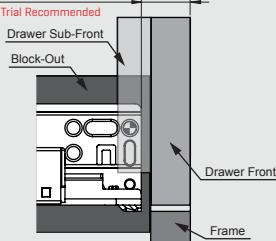
Setback Table for Standard & Inset Drawer Application

Runner Setback for Standard Drawer (See Standard Drawer Table)

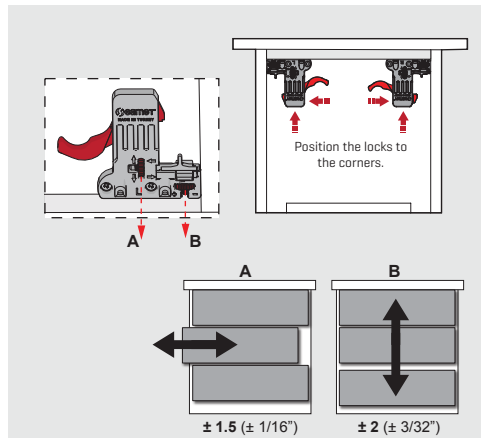
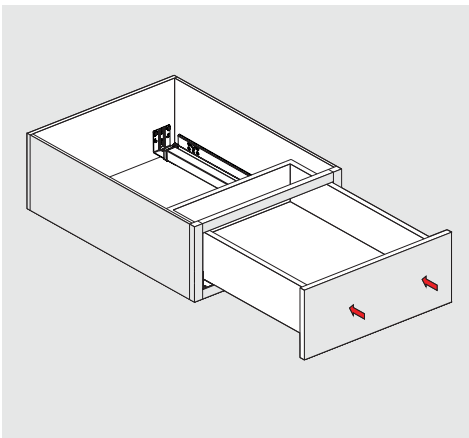
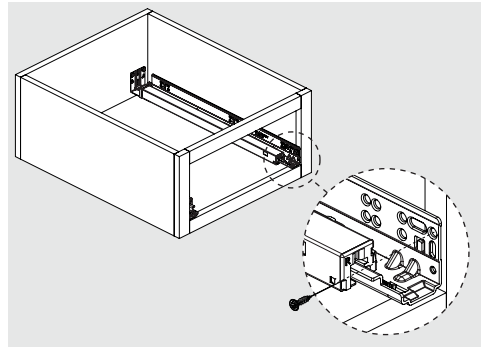
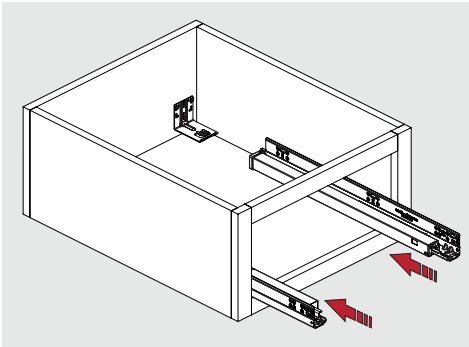
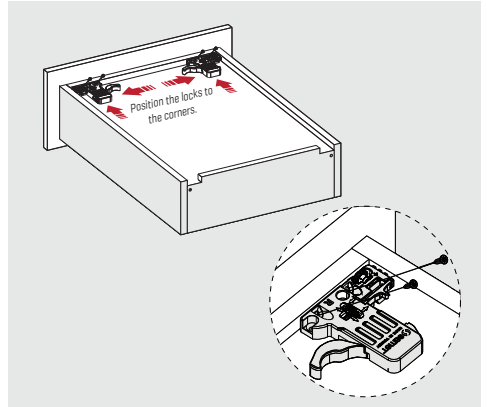
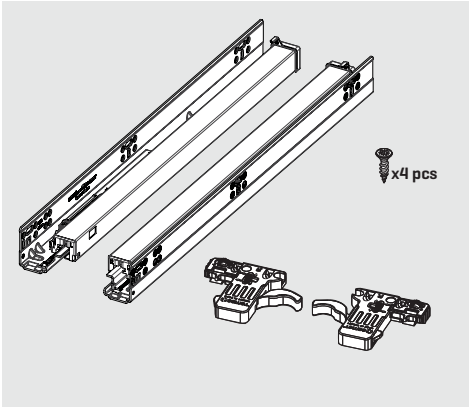


Runner Setback (Standard Drawer)		Setback
Sub-Front Thickness	13 (1/2")	1.5 (1/16")
	16 (5/8")	4.5 (3/16")
	19 (3/4")	7.5 (5/16")

Runner Setback for Inset Drawer (See Inset Drawer Table)



Runner Setback (Inset Drawer)		Setback		
Sub-Front Thickness	13 (1/2")	17.5 (11/16")	20.5 (13/16")	23.5 (15/16")
	16 (5/8")	20.5 (13/16")	23.5 (15/16")	26.5 (1-1/32")
	19 (3/4")	23.5 (15/16")	26.5 (1-1/32")	29.5 (1-5/32")
		16 (5/8")	19 (3/4")	22 (7/8")
Drawer Front Thickness				



Smart Slide Full Fit

CODE	DESCRIPTION	PACKING
127249410	Smart Slide Full Ext Soft-Close Full Fit 9"	6 Set
127249411	Smart Slide Full Ext Soft-Close Full Fit 12"	6 Set
127249412	Smart Slide Full Ext Soft-Close Full Fit 15"	6 Set
127249413	Smart Slide Full Ext Soft-Close Full Fit 18"	6 Set
127249414	Smart Slide Full Ext Soft-Close Full Fit 21"	6 Set

2-D

Full Fit Lock
Right-Left

CODE Right	CODE Left	PACKING
12790789	12790790	120 Pcs

Smart Slide Full Fit Bracket





(Metal)

CODE	PACKING
12799924	180 Pcs

samet



www.samet.com.tr

-  facebook.com/SametGroup
-  twitter.com/SametGroup
-  linkedin.com: Samet Kalıp ve Madeni Eşya San. ve Tic. A.Ş.
-  youtube.com/sametinternational