

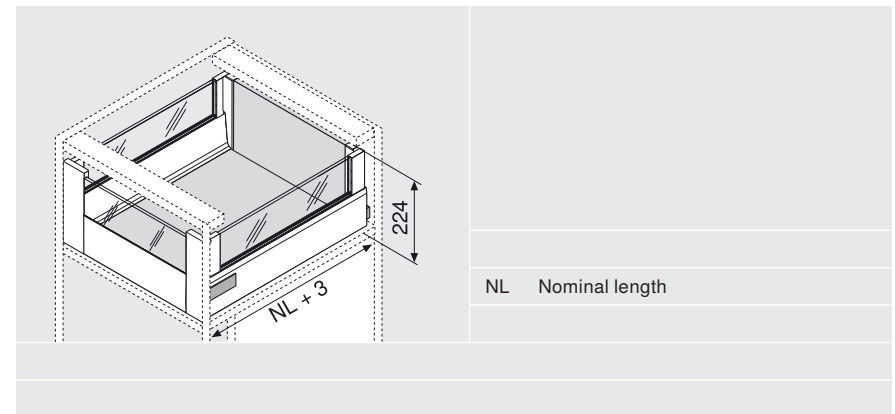
TANDEMBOX intivo

Inner pull-out with design element

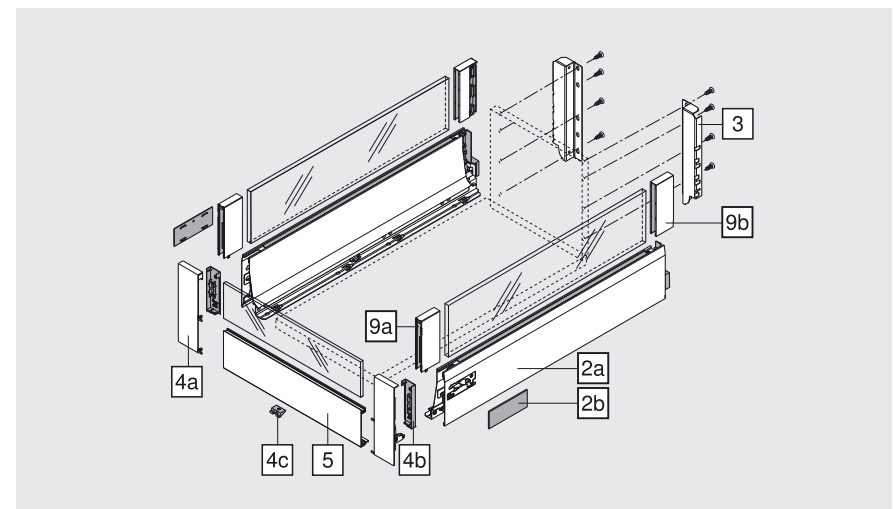
Product



Space requirement

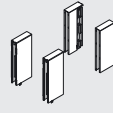


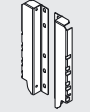
Order specification




Order specification

2a, 2b	L drawer side left/right and cover caps			
	Colour variants	SW	TS	
	Nominal length	Steel		Inox
	270 mm	358L2702SA2	358L2702IA2	
	300 mm	358L3002SA2	358L3002IA2	
	350 mm	358L3502SA2	358L3502IA2	
	400 mm	358L4002SA2	358L4002IA2	
	450 mm	358L4502SA2	358L4502IA2	
	500 mm	358L5002SA2	358L5002IA2	
	550 mm	358L5502SA2	358L5502IA2	
	600 mm	359L6002SA2	359L6002IA2	
	650 mm	359L6502SA2	359L6502IA2	
	SW	Silk white		
	TS	Terra black		

9a, 9b	BOXCOVER front/back			
	Colour variants	SW	TS	
		Steel		Inox
		Z36L002G.S	Z36L002G.I	
	Glass design elements	Page 68		

3	Back fixing left/right			
	Colour variants	SW	TS	Nickel plated
		Steel		
		Z30D000SL		
	Steel back	Page 71		

4a, 4b, 4c	Front fixing left/right and cover caps			
	Colour variants	SW	TS	Nickel plated
		Steel		
		ZIF.81D0		
	Incl. locking piece Z31A0008			

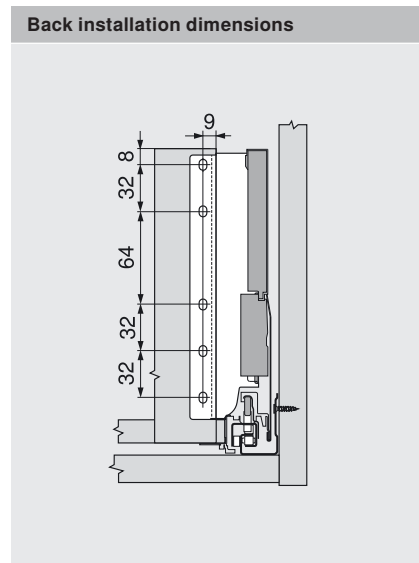
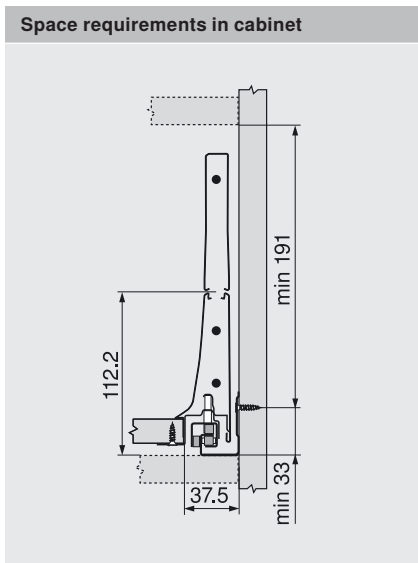
5	Front piece with groove			
	Colour variants	SW	TS	Nickel plated
		Aluminium		
	For cutting to size	Z31L1036AN		

Cabinet profiles				
Order specification	Page 70			

TANDEMBOX intivo

Inner pull-out with design element

Planning



Cutting dim. for 16 mm chipboard

	Back 199 mm
	Base Chipboard back NL - 24 mm Steel back NL - 22 mm

KB	Cabinet width
LW	Inner cabinet width
NL	Nominal length

Front piece with groove to be cut to size

$X = LW - 132 \text{ mm}$

Planning

Design element for side cutting dimensions	
	<p>According to standard (DIN EN 14749 Edition Nov. 2005), no safety glass is stipulated in combination with TANDEMBOX intivo.</p> <p>The upper edge is a polished flat-ended edge with a 1 mm +/-0.5 mm bevel.</p>
<p>X = NL - 60 mm</p>	

Design element for front piece with groove cutting dimensions	
	<p>According to standard (DIN EN 14749 Edition Nov. 2005), no safety glass is stipulated in combination with TANDEMBOX intivo.</p> <p>The upper edge is a polished flat-ended edge with a 1 mm +/-0.5 mm bevel.</p>
<p>X = LW - 118 mm</p>	