

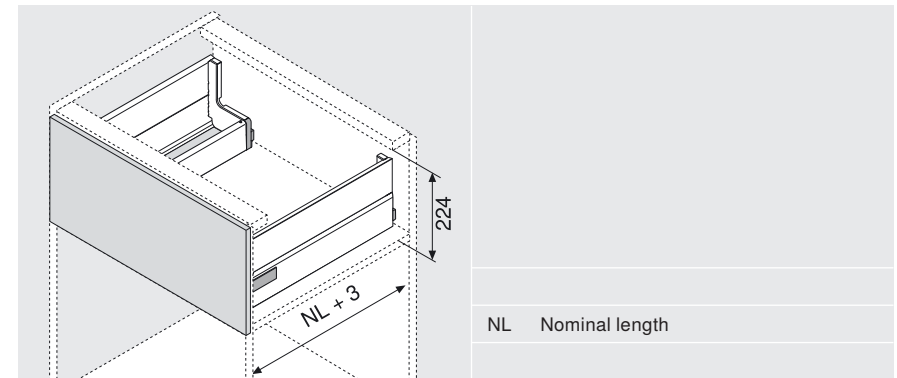
TANDEMBOX intivo

Sink pull-out with BOXCAP

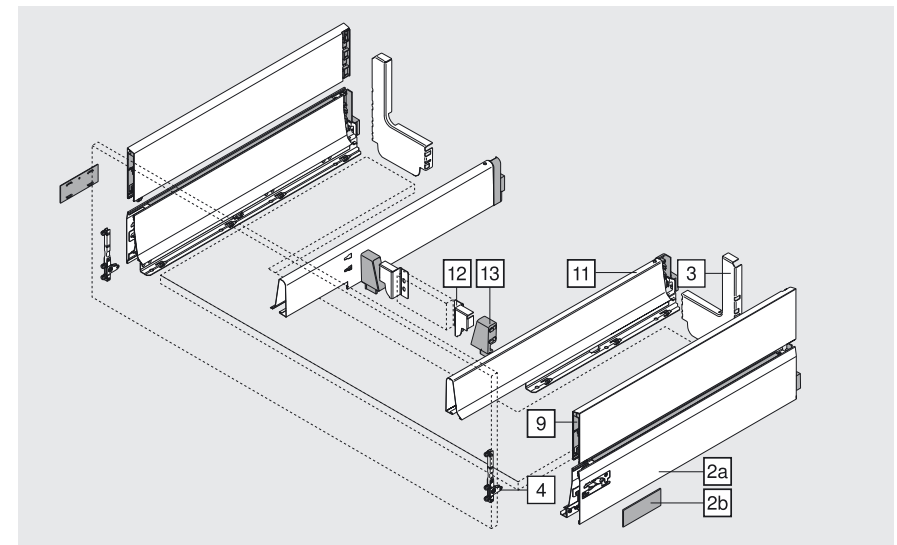
Product



Space requirement

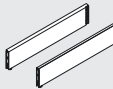


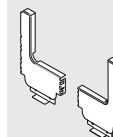
Order specification


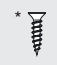


Order specification

2a, 2b	L drawer side left/right and cover caps			
	Colour variants	SW	TS	
	Nominal length	Steel		Inox
	450 mm	358L4502SA2	358L4502IA2	
	500 mm	358L5002SA2	358L5002IA2	
	550 mm	358L5502SA2	358L5502IA2	
	600 mm	359L6002SA2	359L6002IA2	
	650 mm	359L6502SA2	359L6502IA2	
	SW	Silk white		
	TS	Terra black		

9	BOXCAP left/right			
	Colour variants	SW	TS	
	Nominal length	Steel		Inox
	450 mm	Z37L440S.D	Z37L440I.D	
	500 mm	Z37L490S.D	Z37L490I.D	
	550 mm	Z37L540S.D	Z37L540I.D	
	600 mm	Z37L590S.D	Z37L590I.D	
	650 mm	Z37L640S.D	Z37L640I.D	

3	Steel back L-shape left/right			
	Colour variants	SW	TS	Nickel plated
		Steel		
		Z30D120S.6		

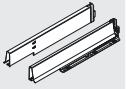
4	Front fixing brackets for high fronted pull-out		
	Screw-on*	2x	ZSF.5220
	EXPANDO	2x	ZSF.532E
	Ø 3.5 x 15 mm		609.1500
	Ø 3.5 x 17 mm		609.1700


Cabinet profiles			
Order specification	Page	70	

TANDEMBOX intivo

Sink pull-out with BOXCAP

Order specification

11	Sink drawer side left/right		
	Colour variants	SW	TS
	Nominal length	Steel Inox	
	450 mm	358M4504SG	358M4504IG
	500 mm	358M5004SG	358M5004IG
	550 mm	358M5504SG	358M5504IG
	600 mm	358M6004SG	358M6004IG
	650 mm	358M6504SG	358M6504IG
	SW	Silk white	
	TS	Terra black	

12	Back fixing left/right for centre piece		
	Colour variants	SW	TS Nickel plated
		Steel	
		Z30N000S.04	
	Steel back	Page	71

13	Adapter left/right	
	Colour variants	RAL7037
		Nylon
		Z30N0002.6Z

Planning

