

## Hinge systems



- ▶ CLIP top BLUMOTION | CLIP top – hinges
- ▶▶ Profile door application

### 125° hinge

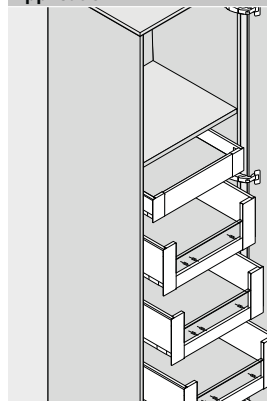
Webcode

DQDJIM



- 0-protrusion for overlay application (for cabinets with inner pull-outs or pull-out shelves)
- Hinge for thick doors and doors with profile
- CLIP top BLUMOTION with integrated BLUMOTION (with deactivation option)
- 125° opening angle
- 3-dimensional front adjustment
- Convenient spiral-tech depth adjustment
- Tool-free door to cabinet assembly and removal
- Suitable for special applications, e.g. mitred doors

#### Application



#### Order information

##### Overlay application

##### 0-protrusion

Boss		Spring		Colour	Part no.
<input type="checkbox"/> Boss	<input type="checkbox"/> Screw-on				
<input checked="" type="checkbox"/> Hinge					
CLIP top		●		NI	71B7550D
BLUMOTION					
● With spring				NI Nickel plated	

Boss		Spring		Colour	Part no.
<input checked="" type="checkbox"/> Boss	<input type="checkbox"/> Knock-in				
<input checked="" type="checkbox"/> Hinge					
CLIP top		●		NI	71B7580D
BLUMOTION					

#### Accessories

Print   Stamp		Logo	Colour	Part no.
<input type="checkbox"/> Plain		–	NI	70.4503
<input type="checkbox"/> Stamped		Blum	NI	70.4503.BP

#### Accessories – general

Opening angle stop		Colour	Part no.
<input checked="" type="checkbox"/> Opening angle stop			
92°	R7037		70T7553
	RAL 7037 dust grey		

Chipboard screws		Length (mm)	Part no.
<input checked="" type="checkbox"/> Chipboard screws			
Ø (mm)			
3.5	15		609.1500
3.5	17		609.1700

Hinge boss cover cap		Colour	Part no.
<input checked="" type="checkbox"/> Hinge boss cover cap			
CLIP top		NI	70T7504
BLUMOTION			
NI Nickel plated			

Hinge boss spacing		Spacing (mm)	Part no.
<input checked="" type="checkbox"/> Hinge boss spacing			
CLIP top		1.5	70T3507.21
BLUMOTION			

Insertion ram		Material	Part no.
<input checked="" type="checkbox"/> Insertion ram			
Orange		Nylon	MZM.0040

125° hinge

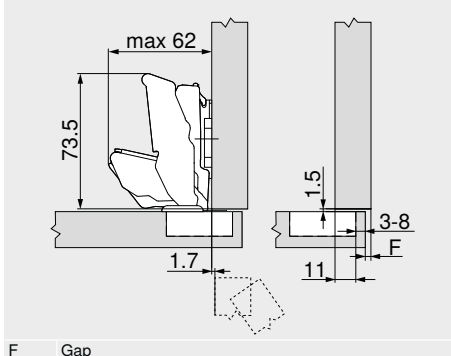
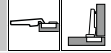
Webcode  
DQDJIM

Planning

Hinge dimensions and gap calculation based on factory setting (mounting plate spacing = 0 mm)

Hinge and front protrusion at 90° opening angle

Overlay application  
0-protrusion



F Gap

Drilling distance TB

MD	Front overlay FA (mm)																		
	5	6	7	8	9	10	11	12	13	14	15	16	17	18	19				
0											3	4	5	6	7	8			
3							3	4	5	6	7	8							
6				3	4	5	6	7	8										
9	3	4	5	6	7	8													

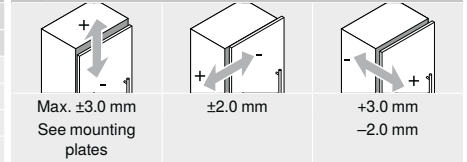
MD Mounting plate spacing (mm)

Minimum gap F for fronts with a front radius (R = 1 mm) based on the factory setting

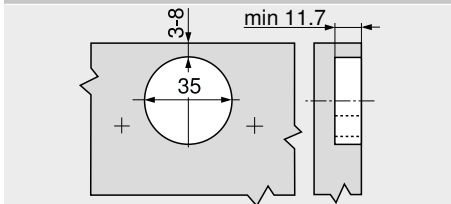
Drilling distance TB (mm)	Front thickness FD (mm)											
	29	30	31	32	33	34	35	36	37	38	39	40
3	0	0	0	0.1	0.3	0.7	1.2	2	2.8	4.1	5.7	-
4	0	0	0	0.1	0.4	0.8	1.5	2.3	3.4	4.9	-	-
5	0	0	0	0.1	0.4	1	1.7	2.8	4.2	-	-	-
6	0	0	0	0.1	0.6	1.2	2.1	3.5	-	-	-	-
7	0	0	0	0.2	0.7	1.6	2.8	-	-	-	-	-
8	0	0	0	0.3	1	2	-	-	-	-	-	-

We recommend a trial application for an overlay application against a wall  
92° Opening angle stop

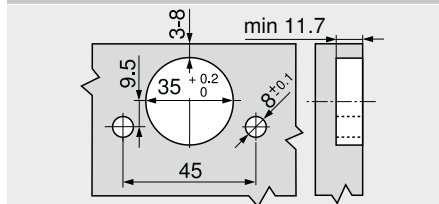
Adjustment



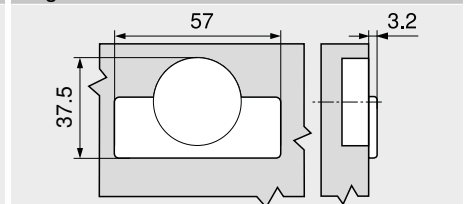
Screw-on



Knock-in



Hinge boss dimensions



Page instructions

Overview – CLIP top BLUMOTION   CLIP top – hinges	75
Mounting plates	156
Accessories – hinge arm cover cap	164
Accessories – general	166
Overview – BLUMOTION for doors	171

Overview – assembly devices  
More technical details

561  
662

Assembly, removal and adjustment

Short-URL  
www.blum.com/a210



## 125° hinge

Webcode  
DQDJIM

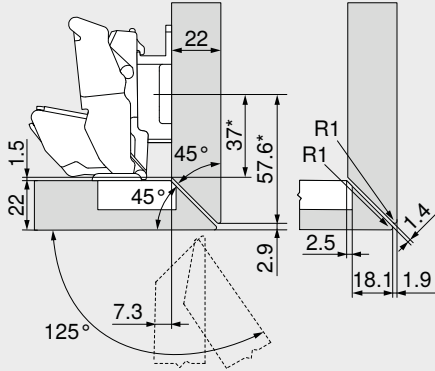
### Planning

#### Special application

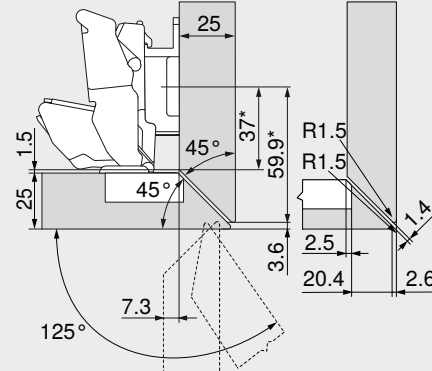
#### Mitred application – all 4 edges



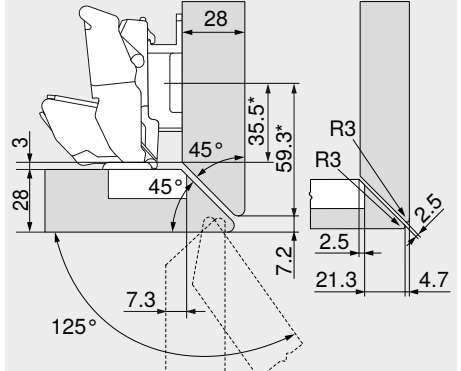
#### 22 mm



#### 25 mm



#### 28 mm



#### Hinge for overlay applications

\* Dimension for mounting plate with dimension A = 37 mm

Description	Spacing (mm)	Part no.
Mounting plate	9	175H7190

#### Hinge for overlay applications

\* Dimension for mounting plate with dimension A = 37 mm

Description	Spacing (mm)	Part no.
Mounting plate	9	175H7190

#### Hinge for overlay applications

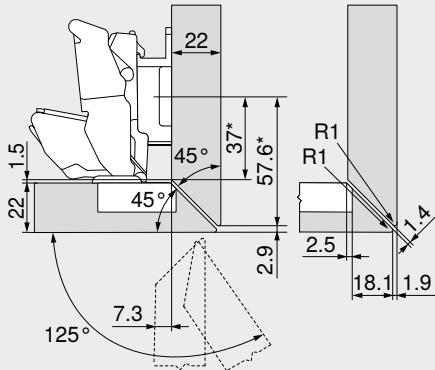
\* Dimension for mounting plate with dimension A = 37 mm

Description	Spacing (mm)	Part no.
Mounting plate	9	175H7190

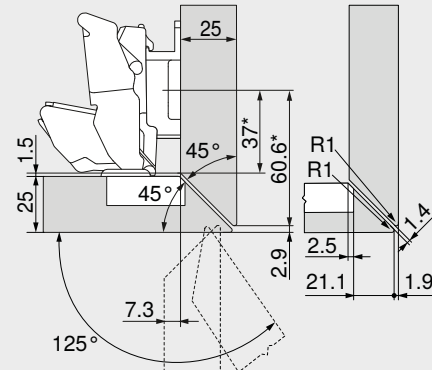
#### Mitred application – side



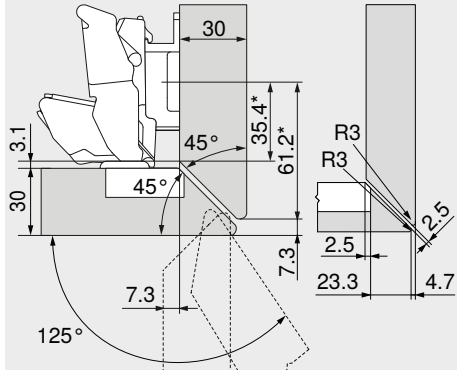
#### 22 mm



#### 25 mm



#### 30 mm



#### Hinge for overlay applications

\* Dimension for mounting plate with dimension A = 37 mm

Description	Spacing (mm)	Part no.
Mounting plate	9	175H7190

#### Hinge for overlay applications

\* Dimension for mounting plate with dimension A = 37 mm

Description	Spacing (mm)	Part no.
Mounting plate	9	175H7190

#### Hinge for overlay applications

\* Dimension for mounting plate with dimension A = 37 mm

Description	Spacing (mm)	Part no.
Mounting plate	9	175H7190

125° hinge

Webcode  
DQDJIM

Planning

Special application

Mitred application – side, with large overlay



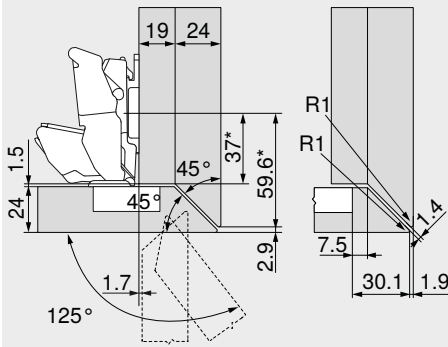
Mitred application – all 4 edges, with large overlay



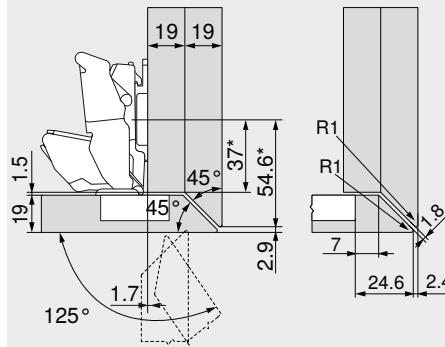
Front overlay max.



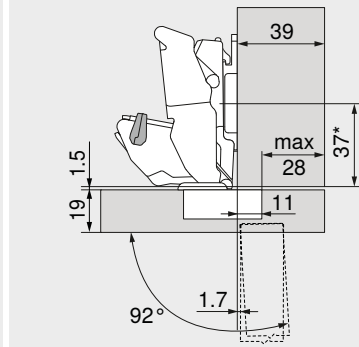
19/24 mm



19/19 mm



39 mm



Hinge for overlay applications

Standard mounting plates with 0 mm distance

\* Dimension for mounting plate with dimension A = 37 mm

Hinge for overlay applications

Standard mounting plates with 0 mm distance

\* Dimension for mounting plate with dimension A = 37 mm

Hinge for overlay applications

Standard mounting plates with 0 mm distance

\* Dimension for mounting plate with dimension A = 37 mm

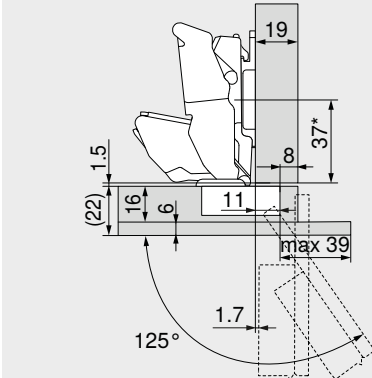
Description	Opening angle	Part no.
Opening angle stop	92°	70T7553

You can select any front thickness for a free-standing cabinet.

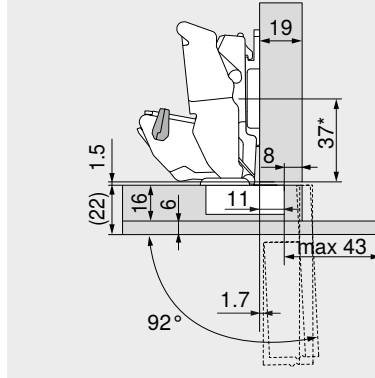
We recommend a trial application for a neighbouring front or an overlay application on the wall.

Thin materials – protruding

16 + 6 mm



16 + 6 mm



Hinge for overlay applications

Standard mounting plates with 0 mm distance

\* Dimension for mounting plate with dimension A = 37 mm

Hinge for overlay applications

Standard mounting plates with 0 mm distance

\* Dimension for mounting plate with dimension A = 37 mm

Description	Opening angle	Part no.
Opening angle stop	92°	70T7553