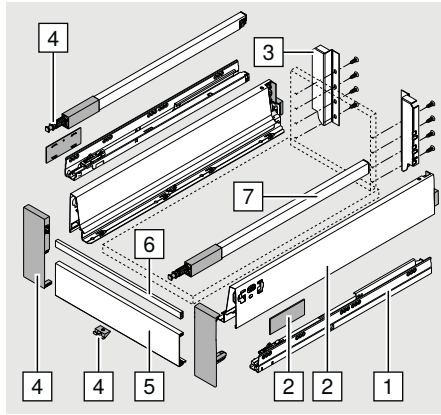


TANDEMBOX antaro

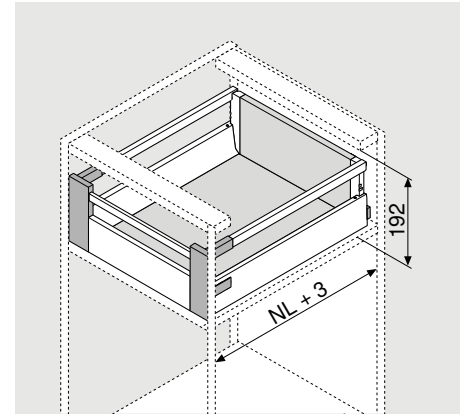


Inner pull-out – gallery – C – M drawer side

Product



Space requirement



NL Nominal length

Order specification

1	Cabinet profiles left/right		
		BLUMOTION*	
	NL	30 kg	65 kg
	270 mm	578.2701B	
	300 mm	578.3001B	
	350 mm	578.3501B	
	400 mm	578.4001B	
	450 mm	578.4501B	576.4501B
	500 mm	578.5001B	576.5001B
	550 mm	578.5501B	576.5501B
	600 mm	578.6001B	576.6001B
	650 mm		576.6501B

* Suitable for SERVO-DRIVE

4	Front fixing left/right		
	Colour variants	S	WGR
	Nylon		
	ZIF.74C0		
	Incl. locking piece Z31A0008		
	Incl. 2x gallery heads ZRG.000R5F		

5	Front section		
	Colour variants	TS	R 9006
	Aluminium		
	Z31L1036A		
	For cutting to size		

2	Drawer sides and cover caps left/right			
	Colour variants	TS	R 9006	SW
NL	Steel			
270 mm	378M2702SA			
300 mm	378M3002SA			
350 mm	378M3502SA			
400 mm	378M4002SA			
450 mm	378M4502SA			
500 mm	378M5002SA			
550 mm	378M5502SA			
600 mm	378M6002SA			
650 mm	378M6502SA			

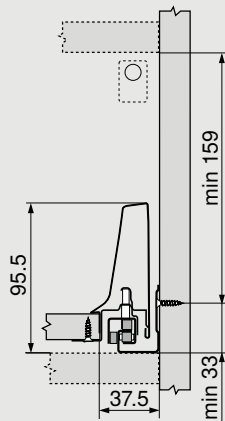
6	Cross gallery		
	Colour variants	TS	R 9006
	Aluminium		
	ZRG.1046Z		
	For cutting to size		

3	Back fixing and gallery fixing left/right			
	Colour variants	TS	R 9006	SW
	Steel			
	Z30C000S			
Steel back				60

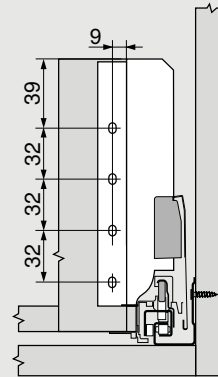
7	Longside gallery rail left/right		
	Colour variants	TS	R 9006
NL	Steel		
270 mm	ZRG.207RSIC		
300 mm	ZRG.237RSIC		
350 mm	ZRG.287RSIC		
400 mm	ZRG.337RSIC		
450 mm	ZRG.387RSIC		
500 mm	ZRG.437RSIC		
550 mm	ZRG.487RSIC		
600 mm	ZRG.537RSIC		
650 mm	ZRG.587RSIC		

Planning information

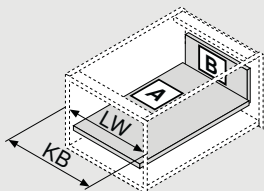
Space requirements in cabinet



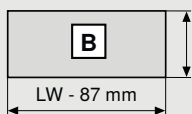
Back installation dimensions



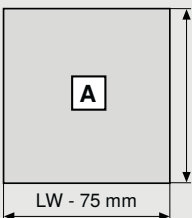
Cutting dim. for 16 mm chipboard



- KB Cabinet width
- LW Inner cabinet width
- NL Nominal length

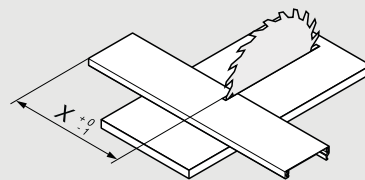


Back
167 mm



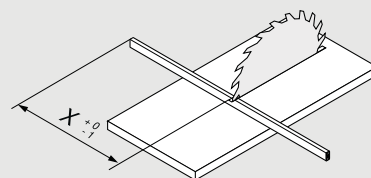
Base
Chipboard back
NL - 24 mm
Steel back
NL - 22 mm

Front piece for cutting to size



$X = LW - 132$

Cross gallery for cutting to size



$X = LW - 122$