

# Runner systems



- ▶ **MOVENTO**
- ▶▶ **Locking device feature – full extension**

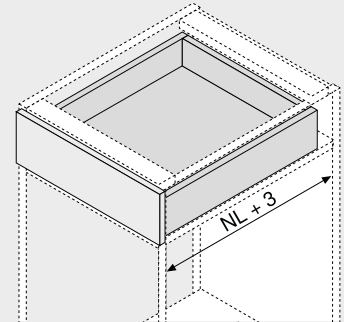
## MOVENTO with BLUMOTION 760H | 766H

Webcode  
DQCZ3Y



- Concealed full extension
- Includes integrated, switchable **BLUMOTION S** for silent and effortless closing, and can be combined with **SERVO-DRIVE** or **TIP-ON BLUMOTION**
- Synchronised feather-light glide
- **BLUMATIC** self closing feature
- Tool-free side, height, and tilt adjustment
- Optional tool-free depth adjustment
- Built-in width and depth tolerance compensation

### Space requirement



NL Nominal length

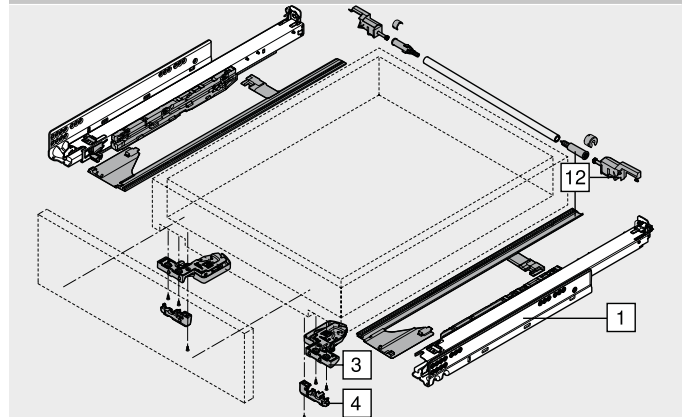
### Order information

1	Runners left/right	
	<b>BLUMOTION S</b>	
<b>Nominal length NL (mm)</b>	<b>Dynamic carrying capacity (kg)</b>	
	40	60
250	760H2500S	
270	760H2700S	
300	760H3000S	
320	760H3200S	
350	760H3500S	
380	760H3800S	
400	760H4000S	
420	760H4200S	
450	760H4500S	766H4500S
480	760H4800S	
500	760H5000S	766H5000S
520	760H5200S	766H5200S
550	760H5500S	766H5500S
580		766H5800S
600	760H6000S	766H6000S
650		766H6500S
700		766H7000S
750		766H7500S

3	Locking device left/right		
	<b>Colour</b>	<b>Material</b>	<b>Part no.</b>
	Orange	Nylon/steel	T51.7601

Order left/right

### Drawer



### Accessories

4	Depth adjustment left/right		
	<b>Colour</b>	<b>Material</b>	<b>Part no.</b>
	RAL 7037 dust grey	Nylon	298.7600

Only for inset applications  
SERVO-DRIVE integrated bumper  
Suitable for T51.7601 locking device

12	Side stabilisation set		
	<b>Nominal length NL (mm)</b>	<b>Material</b>	<b>Part no.</b>
	Up to 400	Nylon	ZS7M400MU
	Up to 600	Nylon	ZS7M600MU
	Up to 750	Nylon	ZS7M750MU

Suitable for cabinet width KB 1400 mm  
For cutting to size

MOVENTO with BLUMOTION 760H | 766H

Webcode  
 DQCZ3Y

Planning

Space requirement in cabinet	Drawer   inner drawer	Drawer	Inner drawer
<p>* +1 mm for assembly of the runners prior to cabinet assembly</p>	<p>SKW Internal drawer width                      LW Internal cabinet width                      ** Limited side adjustment for a drawer side panel thickness of 16 mm, but with full tolerance utilisation of the internal width of the drawer SKW</p>	<p>SKL Drawer length                      NL Nominal length                      * Additional +12 mm with side stabilisation</p>	<p>ISKL Inner drawer length                      SKL Drawer length                      NL Nominal length                      X Front thickness                      * Additional +3 mm with depth adjustment</p>

Hole spacing – runners

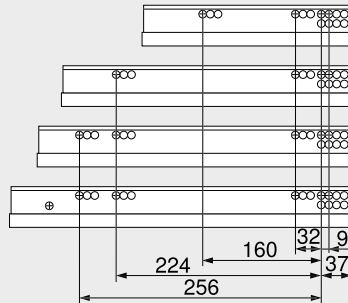
Runner 760H – 40 kg  
 Nominal length NL (mm)

250 | 270

300 | 320 | 350

380 | 400 | 420 | 450 |  
 480 | 500 | 520

550 | 600



Runner 766H – 60 kg

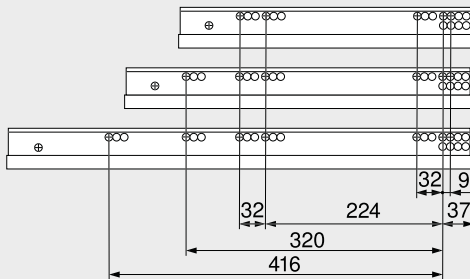
Nominal length NL (mm)

450

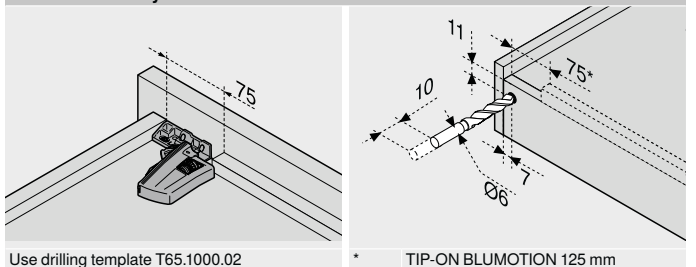
500 | 520 | 550 |

580 | 600

650 | 700 | 750



Drawer assembly



Use drilling template T65.1000.02

\* TIP-ON BLUMOTION 125 mm

Page instructions

Overview – MOVENTO	379	Attachment of runners	394	<b>Assembly, removal and adjustment</b> 
Overview – TIP-ON BLUMOTION for MOVENTO	397	Overview – assembly devices	561	
Overview – TIP-ON for MOVENTO	403	More technical details	662	
Overview – TIP-ON for MOVENTO TANDEM	455			
CABLOXX	552			Short-URL <a href="http://www.blum.com/a410">www.blum.com/a410</a>
Accessories	387			