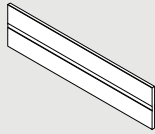






Order specification

**1a** Cross divider for cutting to size



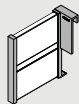
KB	Part No.	
275 mm	☎	Z40L152A
300 mm		Z40L177A
550 mm	☎	Z40L427A
600 mm		Z40L477A
900 mm		Z40L777A
1200 mm		Z40L1077A
Silk white, terra black		
Alu for cutting to size		
Cutting:		
X = LW - 91 mm		
Y = LW - 295 (KB 275)	Y = LW - 320 mm (KB 300)	
Z = 152 mm (KB 275)	Z = 177 mm (KB 300)	

**1b** Cross divider connector

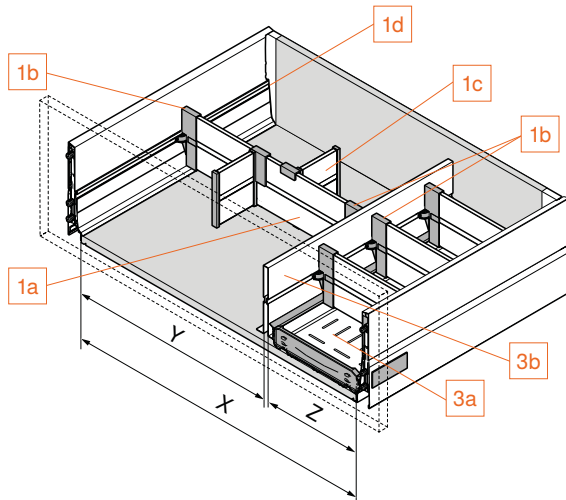


	Part No.
Silk white, terra black	Z40L0002

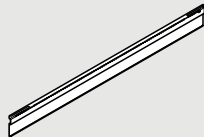
**1c** Longside divider



	Part No.
Silk white, terra black	Z43L100S



**1d** Adapter profile for cross divider

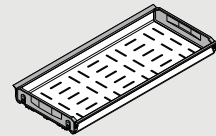


NL		Part No.
270 mm	2x	Z49L242S
300 mm	2x	Z49L272S
350 mm	2x	Z49L322S
400 mm	2x	Z49L372S
450 mm	2x	Z49L422S
500 mm	2x	Z49L472S
550 mm	2x	Z49L522S
600 mm	2x	Z49L572S
650 mm	2x	Z49L622S

Silk white,  
terra black

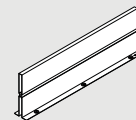
KB Cabinet width  
LW Inner cabinet width  
NL Nominal length

**3a** Bottle rack



NL	Part No.	Part No.
450 mm		Z48.30B014
500 mm	☎ Z48.27B016	Z48.30B016
550 mm	☎ Z48.27B017	Z48.30B017
600 mm	☎ Z48.27B018	Z48.30B018
650 mm	☎ Z48.27B019	Z48.30B019
	KB 275 mm	KB 300 mm

**3b** Dividing wall



Not available for the inner pull-out

NL	Part No.
450 mm	Z46L420S
500 mm	Z46L470S
550 mm	Z46L520S
600 mm	Z46L570S
650 mm	Z46L620S

Silk white,  
terra black