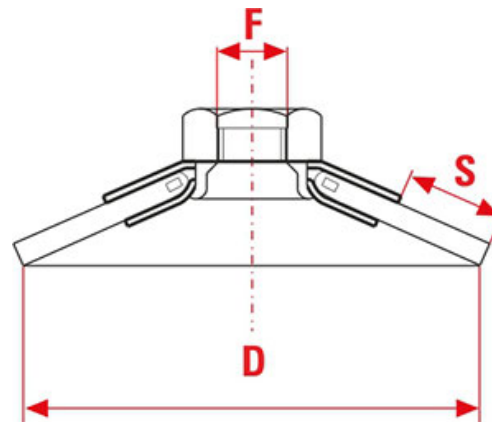


Crimped Wire Brushes CO90, CO120 and CO150 for Angle Grinders



The conical shape makes these brushes suitable for sideways jobs on irregular surfaces, with edges, profiles and cracks. In crimped iron with very high resistance.

Applications: Waste, residues and rust removal from surfaces of any material and shape.

D	ART	F	S	Ø mm	WIRE	MAX RPM	Box	REF
---	-----	---	---	------	------	---------	-----	-----

D	ART	F	S	Ø mm	WIRE	MAX RPM	Box	REF
90	CO90	M14	20	0,35	Steel	14000	12	173
90	CO90	M14	20	0,35	Steel	14000	6	172
90	CO90	M14	20	0,3	Stainless steel	14000	6	946
120	CO120	M14	22	0,35	Steel	12500	6	175
120	CO120	M14	22	0,3	Stainless steel	12500	6	2430
150	CO150	M14	25	0,35	Steel	9000	6	176
120	CO150	M14	25	0,3	Stainless steel	9000	6	2433