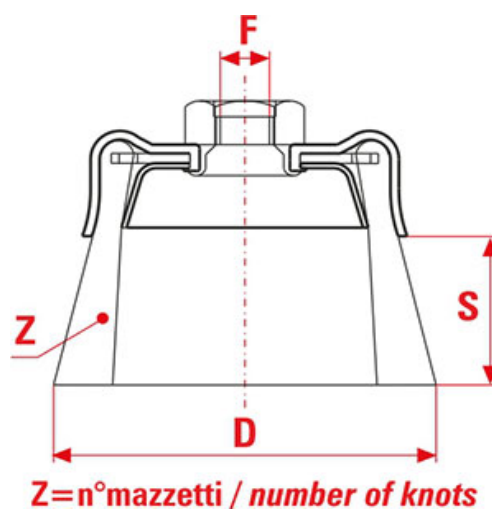


Twist Knot Brushes TZ70, TZ100 and TZ120 for Angle Grinders



The TZ version includes cup brushes twisted knots without retaining ring. This makes them less aggressive.

**Applications:** Ideal for removal jobs not as hard as the ones for the line twisted knots Industrial.

D	ART	F	S	Z	Ø mm	WIRE	MAX RPM	Box	REF
75	TZ 70	M14	20	18	0,35	Steel	14000	12	325

D	ART	F	S	Z	Ø mm	WIRE	MAX RPM	Box	REF
75	TZ 70	M14	20	18	0,5	Steel	14000	12	326
75	TZ 70	M10	20	18	0,5	Steel	14000	12	327
75	TZ 70	M14	20	18	0,5	Inox	14000	12	332
75	TZ 70	M10	20	18	0,5	Inox	14000	12	333
100	TZ 100	M14	25	22	0,5	Steel	8500	6	328
100	TZ 100	22,2	25	22	0,5	Steel	8500	6	329
120	TZ 120	M14	25	26	0,5	Steel	8500	4	330
120	TZ 120	22,2	25	26	0,5	Steel	8500	4	331

