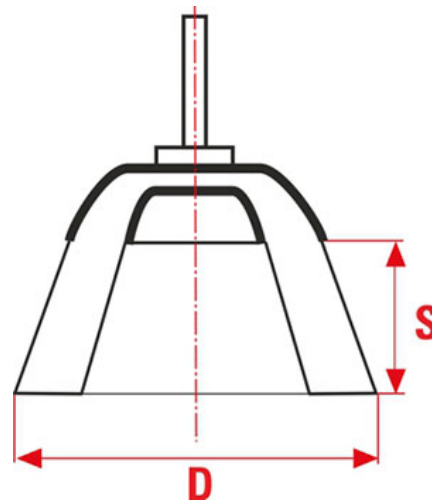


## Cups in Brass Coated Steel Line TE Professional for Drill



Cup brushes with shaft in crimped brass-plated steel for drill.

**Applications:** Light-duty jobs of maintenance and cleaning. Ideal for the hobbyist.

D	ART	SHAFT	S	Ø mm	WIRE	MAX RPM	Box	REF
---	-----	-------	---	------	------	---------	-----	-----

D	ART	SHAFT	S	Ø mm	WIRE	MAX RPM	Box	REF
50	TE 50	6x25	17	0,3	Brass Coated Steel	4500	36	<b>660</b>
75	TE 75	6x25	25	0,3	Brass Coated Steel	4500	12	<b>661</b>



Via Porrettana 453  
Casalecchio di Reno  
40033 Bologna, Italy.

+39 051 6113211  
[info@sitbrush.com](mailto:info@sitbrush.com)