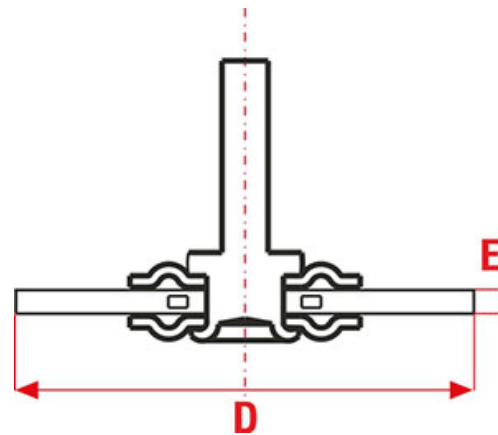


Wheel Brushes Ø mm G30, G40, G50, G60, G75 and G100 for Drill



Wheel Brushes with shaft, in crimped brass-plated iron wire.

Applications: Dust, rust and waste removal from surfaces of any material and shape. The "G" series is suitable for the hobbyist. Ideal for light jobs of maintenance and cleaning.

D	ART	SHAFT	E	Ø mm	WIRE	MAX RPM	Box	REF
30	G30	6x21	4	0,3	Brass Coated Steel	6000	48	885
40	G40	6x21	5	0,3	Brass Coated Steel	4500	48	886
50	G50	6x21	5	0,3	Brass Coated Steel	4500	36	887
60	G60	6x21	5	0,3	Brass Coated Steel	4500	24	888
75	G75	6x21	7	0,3	Brass Coated Steel	4500	24	889
100	G100	6x21	9	0,3	Brass Coated Steel	4500	10	890
100	G100	6x21	9	0,3	Stainless steel	4500	12	978



Via Porrettana 453
 Casalecchio di Reno
 40033 Bologna, Italy.

+39 051 6113211
info@sitbrush.com