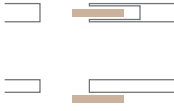
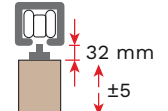
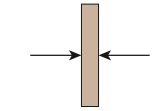
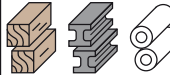




# SYSTEM OUTDOOR 0850

<p><b>SLIDING</b> Outdoor</p> 	<p><b>FIXING</b> Standard single-entry bracket</p> 	<p><b>DOOR THICKNESS</b></p>  <p>minimum 30 mm</p>	<p><b>DOOR MATERIAL</b> Wood, Metal and PVC</p> 	<p><b>SYSTEM LOAD CAPACITY</b> Up to 250 kg</p> 	<p><b>ROLLERS</b> Body: Aluminum Wheels: 2 Pin: stainless steel</p> 
---	--	---	---	---	---



## INDEX

A sliding set for Outdoor system 0850

Set	Load capacity	Door thickness	Sliding	Page
0850 3	250 kg	minimum 30 mm	Outdoor 	132
Tracks, Accessories and Spare parts 0850 3				133


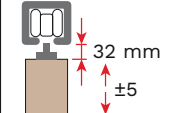
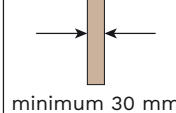
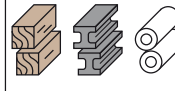


## Optional

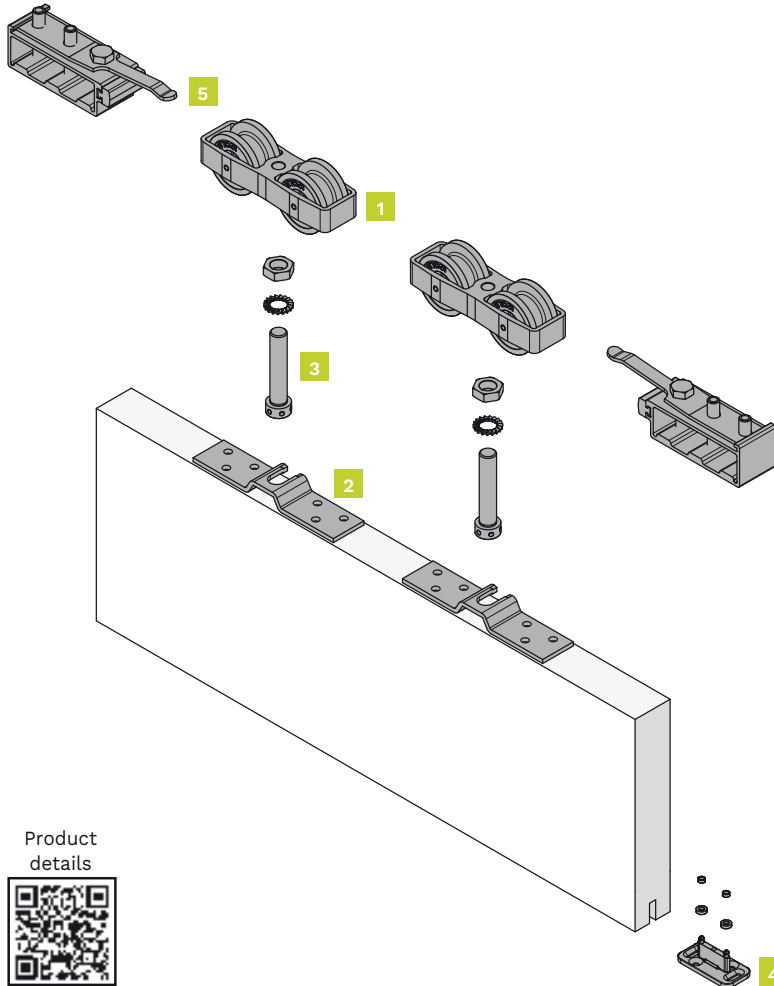
System	Description	Item number.	Page
New Kit Klose	Self closing - outside the wall	<b>0880 1</b>	155
	Self closing - inside the wall	<b>0880 2</b>	156
<b>2000</b>	Parallel door sliding gear	<b>2000</b>	158



# KIT 0850 3

Sliding door kit for outdoor and humid environment. Aluminum roller, stainless steel pin, single-entry bracket, end stop. Load capacity 250 kg.

<p><b>SLIDING</b> Outdoor</p> 	<p><b>FIXING</b> Standard single-entry bracket</p> 	<p><b>DOOR THICKNESS</b></p>  <p>minimum 30 mm</p>	<p><b>DOOR MATERIAL</b> Wood, Metal and PVC</p> 	<p><b>SYSTEM LOAD CAPACITY</b> massimo 250 kg</p> 	<p><b>ROLLERS</b> Body: Aluminum Wheels: 2 Pin: stainless steel</p> 
---	--	---	---	--	---



## Kit components

1 door set

Item number: 0850 3

Figure	Component	Quantity
1	Upper roller - 250 kg	2 pieces
2	Single-entry bracket	2 pieces
3	Support screw for roller (hanger)	2 pieces
4	Adjustable lower guide	1 piece
5	End-stop	2 pieces
-	Valve seat wrench	1 piece

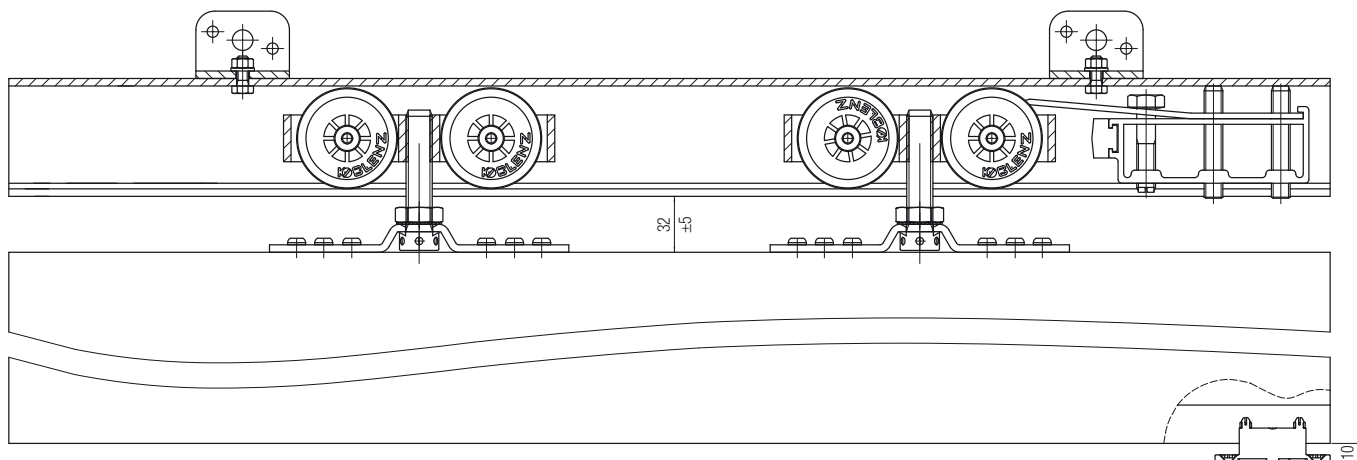
Complete the set in the section "Tracks, Accessories and Spare parts".

Product details



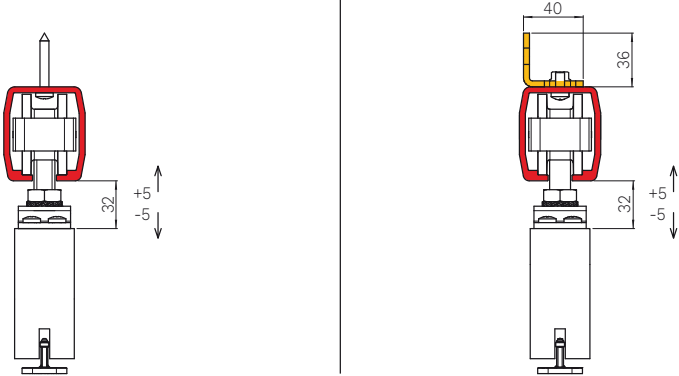

## Technical drawings

Dimensions indicated in millimeters



# Tracks, Accessories and Spare parts 0850 3

Complete the kit with track and accessory according to application.

Installation examples	Dimensions tracks and accessories
<p>Dimensions indicated in millimeters</p> 	

## Tracks

Drilled and anodised aluminium track - 250 kg	Item number.
3 meters	<b>0850 2</b>
6 meters	<b>0850 1</b>

## Accessories

Component	Item number.
L shape wall fixing - 250 kg	<b>0850 5</b>

## Spare parts

Component	*Quantity	Item number.	Which set is it for?
Upper roller - 250 kg	2 pieces	<b>0850 53</b>	0850 3
Single-entry bracket	2 pieces	<b>0850 52</b>	0850 3
Support screw for roller (hanger)	2 pieces	<b>0850 51</b>	0850 3
Adjustable lower guide	20 pieces	<b>0500 13</b>	0850 3
End-stop	1 piece	<b>0850 4</b>	0850 3

\*The minimum order quantity is indicated.